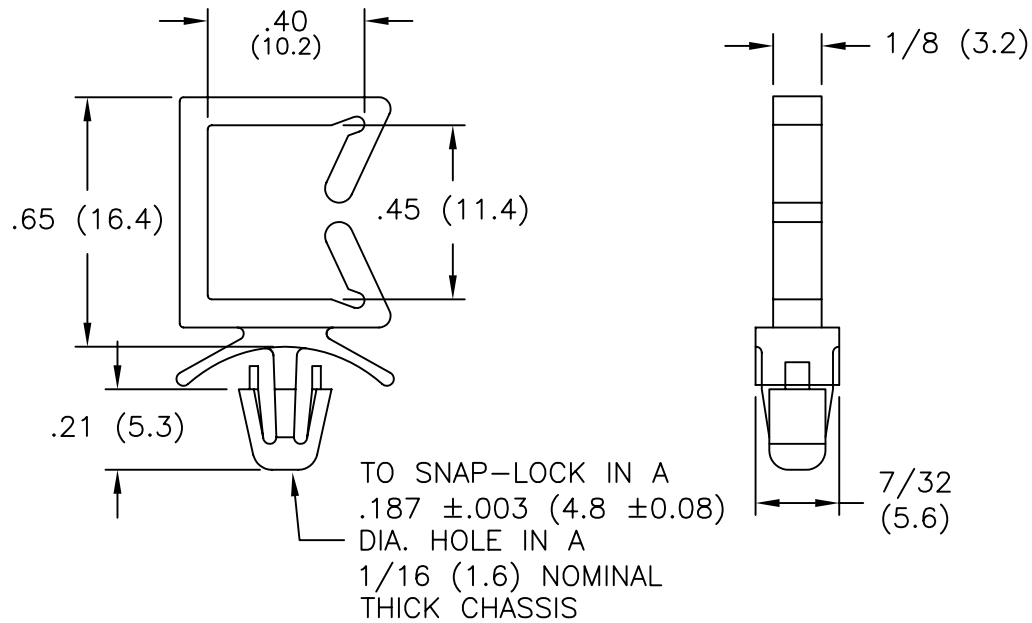


UNCONTROLLED COPY

|   |  |
|---|--|
| MAT'L: NYLON 66<br>(RMS-01), NATURAL.<br>PART NO. | MAT'L: NYLON 66<br>(RMS-19), NATURAL.<br>FLAME RETARDANT<br>PART NO. |
| WS-SE-A-2-01                                      | WS-SE-A-2-19   |



|  |             |                  |  |      |                  |                   |               |
|--|-------------|------------------|--|------|------------------|-------------------|---------------|
| TITLE: WIRE SADDLE SIDE ENTRY-02   |             |                  |  | ⊕    | ▭                | DWG IN<br>IN (MM) | QR            |
| TOLERANCES<br>UNLESS NOTED<br>.XX=±.010<br>.XXX=±.005<br>FRAC=1/64<br>ANG=1° |             | FILE # WSSEA2    | DWN: P.B.  | APP: |                  | FINAL             |               |
| MAT'L: SEE TABLE   |             | RE: RICHCO, INC. | DT: 08/18/94   | DT:  | PART #           |                   | PRINT<br>TYPE |
| A  |             | SM 04.12.01      | RICHCO INC.<br>PO BOX 804238, CHICAGO, 60680<br>(773) 539-4060 |      | WS-SE-A-2 SERIES |                   | CA            |
| REV  | DESCRIPTION | ENGR DATE        |  |      |                  |                   |               |

|     |  |             |
|-----|--|-------------|
| A   | REMOVED NOTES; ADDED TABLE AND<br>CHANGED FILE NO. | SM 04.12.01 |
| REV | DESCRIPTION  | ENGR DATE   |